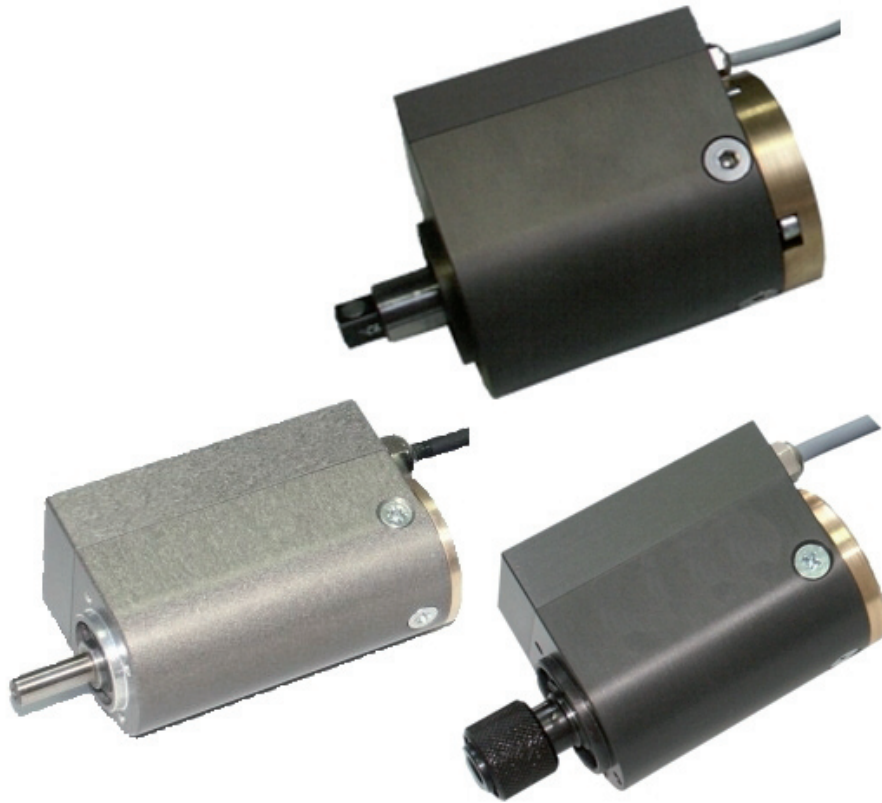


Torque Transducer

Type DRDML, DRDMS, DRDMN

with mechanical coupling for maxon gears with contact less data acquisition



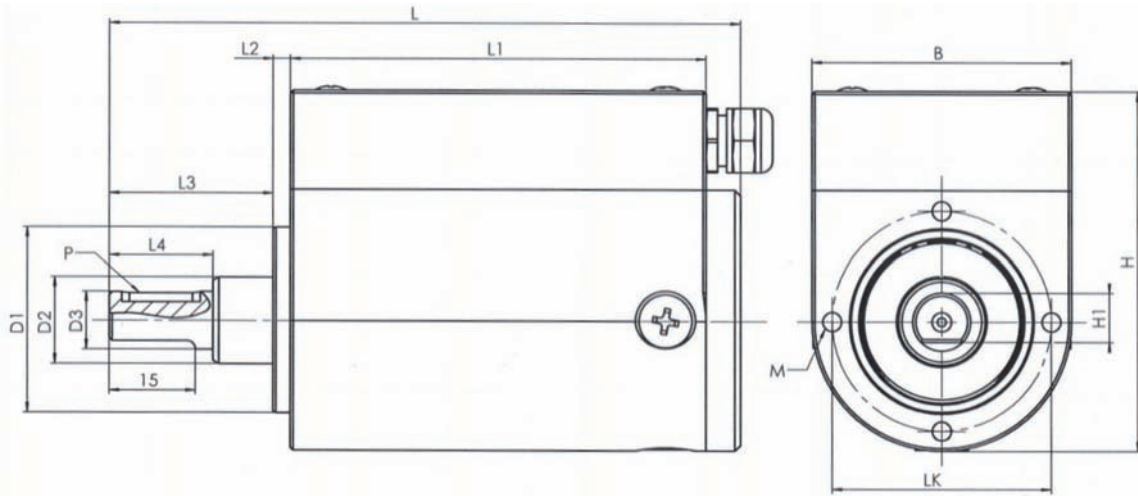
Technical Data:

Supply Voltage:	12V DC +-10%
Current Consumption:	approx. 120mA
Rise Time 10-90%:	1ms (1kHz)
Voltage Output:	0- ±10V
Internal Resistance:	100 Ω
Ripple:	< 100mV _{SS}
Nonlinearity:	< 0,15%
Hysteresis:	< 0,1%
Operating Temperature:	0-60°C
Compensated Temperature Range:	5-45°C
Temperature Fault	
Zero Point:	0,02%/K
Sensitivity:	0,01%/K
Mechanical Overload:	100%
Connection:	2,5m connection cable with flying leads

Type DRDML

with cylindrical shaft ends

Mechanical Dimensions:



Type	DRDML-26*	DRDML-42
Fits to gear	GP26B	GP42C
Measurement Range [Nm]	0,5/1/2	5/10/15/20
Dimensions	Different measurement ranges on demand	
L [mm]	73,5	109,4
B [mm]	26	45
H [mm]	38	62
D ₁ [mm]	∅16,5	∅32
D ₂ [mm]	∅8	∅15
D ₃ [mm]	∅5	∅10
L ₁ [mm]	56	72
L ₂ [mm]	2	3
L ₃ [mm]	13,5	28,4
L ₄ [mm]	12,8	18
L ₅ [mm]	12,8	---
H ₁ [mm]	4,5	---
LK [mm]	∅20	∅38
M [mm]	M3 x 5 deep	M4 x 6 deep
P [DIN 6885]	---	A3 x 3 x 14
	General tolerances DIN 2768-m	
Weight approx. [g]	120	740
Rev. max. [rpm]	25.000	10.000
	*Additional electronics integrated in the measuring cable	

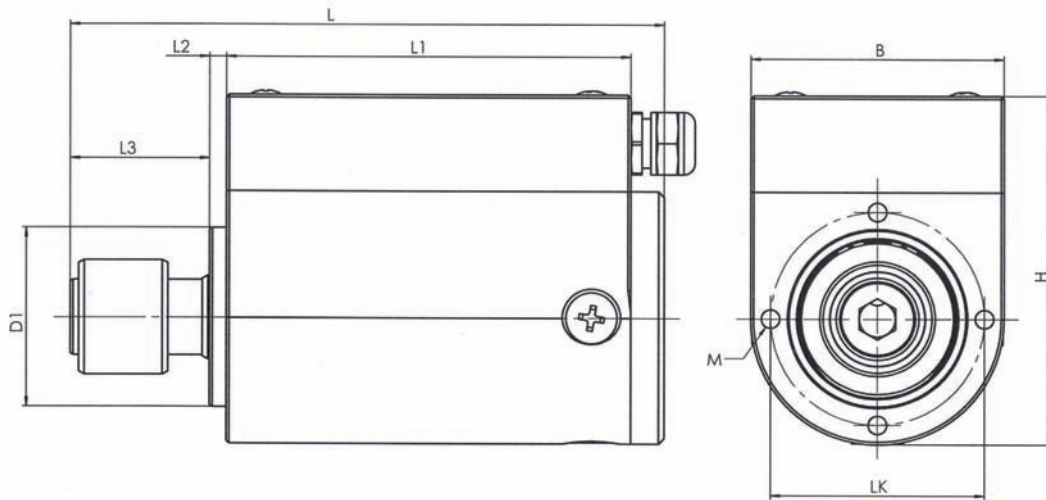
Technical specifications:

Type	Spring Constant C [Nm/rad]	Mass Moment of Inertia J [g·cm ²]	Max Axial Load [N]	Max Radial Load [N]
DRDML-26-0,5	110	1,3	190	6
DRDML-26-1	110	1,3	190	6
DRDML-26-2	250	1,3	190	12
DRDML-42-5	870	60	320	17
DRDML-42-10	2000	60	320	34

Type DRDMS

with 1/4" hexagonal drive

Mechanical Dimensions:



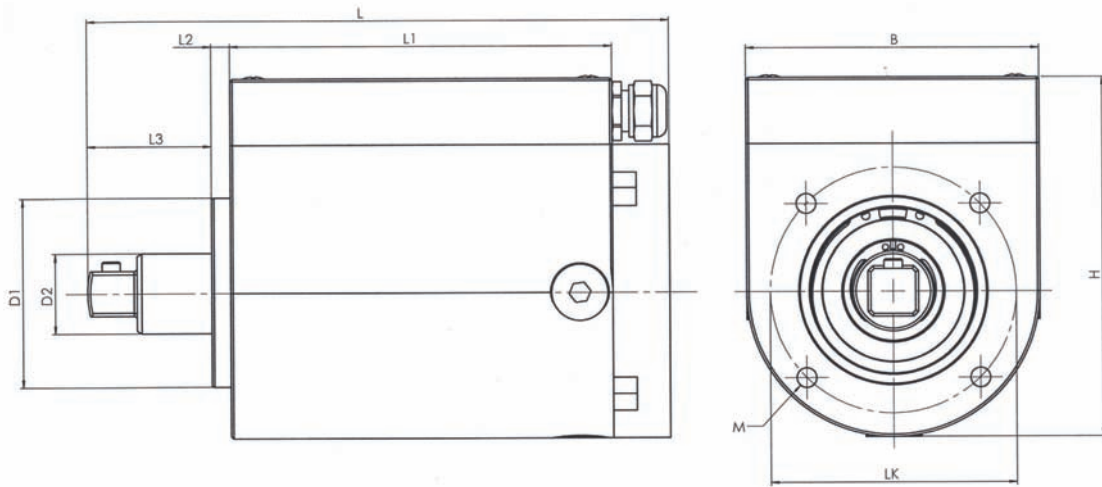
Type	DRDMS-22*	DRDMS-32	DRDMS-42
Fits to gear	GP22A	GP32A	GP42C
Measurement Range [Nm]	0,5/1	1/2/5	5/10/15/20
Dimensions	Different measurement ranges on demand		
L [mm]	91	86,3	109,4
B [mm]	22	32	45
H [mm]	35,5	49	62
D1 [mm]	∅19	∅22	∅32
L1 [mm]	55	60	72
L2 [mm]	2	2	3
L3 [mm]	34	26,3	28,4
LK [mm]	∅14	∅26	∅38
M [mm]	M2 x 4 deep (3x180°)	M3 x 5 deep	M4 x 6 deep
	General tolerances DIN 2768-m		
Weight approx. [g]	130	320	740
Rev. max. [rpm]	25.000	20.000	10.000
	*Additional electronics integrated in the measuring cable		

Technical Data:

Type	Spring Constant C [Nm/rad]	Mass Moment of Inertia J [g·cm ²]	Max Axial Load [N]	Max Radial Load [N]
DRDMS-22-0,5	90	0,5	90	6
DRDMS-22-1	90	0,5	90	6
DRDMS-32-1	270	5	230	8
DRDMS-32-2	270	5	230	8
DRDMS-32-5	700	5	230	20
DRDMS-42-5	880	60	320	20
DRDMS-42-10	2050	60	320	38
DRDMS-42-15	3100	60	320	55
DRDMS-42-20	4100	60	320	75

Type DRDMN with square drive

Mechanical Dimensions:



Type	DRDMN-62
Fits to gear	GP62
Square	3/8"
Measurement Range [Nm]	10/20/50
Dimensions	Different measurement ranges on demand
L [mm]	123,4
B [mm]	62
H [mm]	76
D1 [mm]	∅40
D2 [mm]	∅17
L1 [mm]	81
L2 [mm]	4
L3 [mm]	26,4
LK [mm]	∅52
M [mm]	M5 x 10 deep
Weight approx. [g]	1.000
Rev. max. [rpm]	10.000
	General tolerances DIN 2768-m

Technical Data:

Type	Spring Constant C [Nm/rad]	Mass Moment of Inertia J [g·cm ²]	Max Axial Load [N]	Max Radial Load [N]
DRDMN-62-10	2200	130	1300	35
DRDMN-62-20	4300	130	1300	70
DRDMN-62-50	8000	130	1300	190